

2009 FY (2009. 6 - 2010. 5)

# Overview of IPv6 Home Router SWG

---

IPv6 Promotion Council

IPv6 Home Router SWG

---

# About IPv6PC (Promotion Council)

- ◆ NPO for deploying IPv6
- ◆ Established in Oct. 2000
- ◆ Member ( as of Sep 2009 )
  - 103 Private Companies.
  - 87 Individuals
  - 4 Internet related organizations.
- ◆ Composed of various WGs.
  - Some WGs have SWGs. ( Home Router SWG is one of them.)
- ◆ Discussing and shareing infomation among members.
  - Home Router SWG is exception, it opens to public.

Annual Fee	
Member	¥100,000
Board Member	¥500,000
Individual	¥0
Supporting Organization	¥0

## 1. Looking back 2008 (FY)

## 2. Plan for 2009 (FY)

# Background of IPv6 Home Router SWG

## Outside Japan

●Some organization are discussing about IPv6 Home Router

- Cable Labs
- Broadband Forum
- IETF

etc.

## Inside Japan

●No organization started discussing about Home Router.

●Each company needs discussing about it.



**In Japan, we need to discuss about IPv6 Home Router and share among us.**

## ◆ Issued Guideline (rev. 1.0)

- Started Sep. 2008 → June 2009 issued
- Number of members : Approx. 30

## ◆ Obtaining variety of Public Comments

- Reflected some of light items on Guideline 1.0
- Listed heavy items, for reflecting them to rev.2.

## ※ References

- Guideline ver. 1.0
  - ◇ <http://www.v6pc.jp/jp/wg/coexistenceWG/v6hgw-swg.phtml> (Japanese)
  - ◇ <http://www.v6pc.jp/en/wg/coexistenceWG/v6hgw-swg.phtml> (English)
- Public comments and our comments for each item. (Japanese)
  - ◇ [http://www.v6pc.jp/jp/upload/pdf/v6hgw\\_Public\\_Comment\\_Reply\\_200906022.pdf](http://www.v6pc.jp/jp/upload/pdf/v6hgw_Public_Comment_Reply_200906022.pdf)

## ◆ Third party's evaluation

- We have still items for discussing, according to the over 50 public comments.

## ◆ Self evaluation

- Lacking international viewpoint.



**Start additional discussion 2009 (FY)**

# Brief Agenda of the Guideline 1.0

- ◆ Functions to connect to ISP
- ◆ Address Assignment Method
- ◆ Access Control Function from Outside
- ◆ DNS Proxy/Resolver Function
- ◆ Information Distribution Function to Home network
- ◆ Routing/Multicast Function
- ◆ Configuration Method on Service-side

1. Looking back 2008 (FY)

2. Plan for 2009 (FY)



## ◆ Objectives (same as 2008)

- Enabling Internet User to use IPv6 Smoothly.

## ◆ Goal

- Publishing an Guideline. (rev. 2)
  - ✧ From viewpoint of users.
  - ✧ Summarizing the base (minimum) function of the IPv6 Home Router.
  - ✧ Considering English version.

# Scope of Home Router SWG

## ◆ The environment of using IPv6 Home Router.

① Home Router

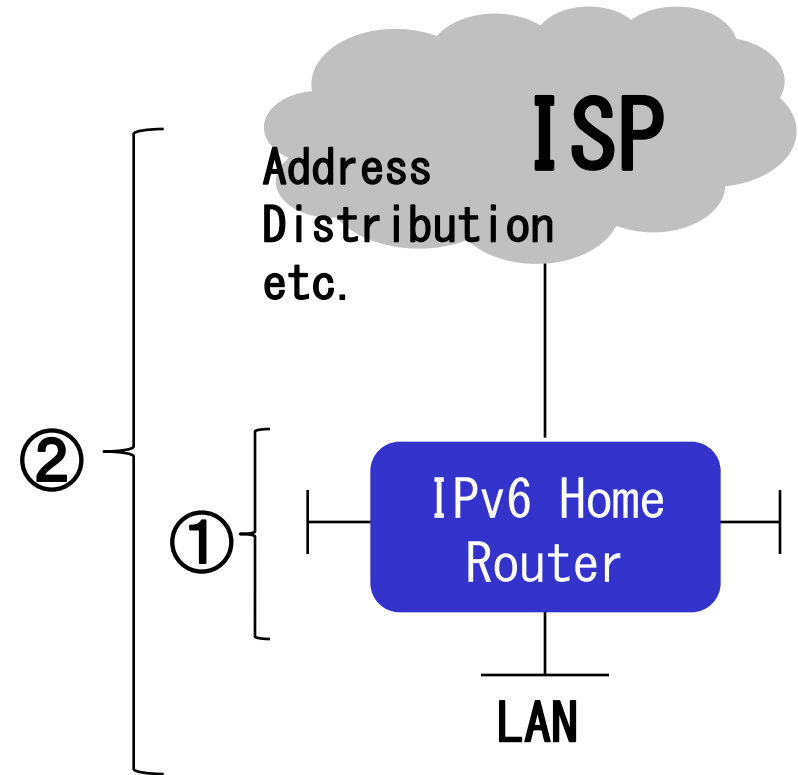
② ISP's system and Home network (LAN) which communicate to ①.

✧ Authentication

✧ Address distribution system.

✧ etc.

## ◆ Discussing about minimum requirement. Needed to consider the expansion for future.



# Summary of Planning Activity in 2009

- (1) **Announcing Guideline rev. 1**
  - Persuading HGW maker to use Guideline rev. 1.
- (2) **Revising Guideline rev. 1**
  - Revising Guideline based on public comments and new issues.
- (3) **International Activity**
  - International Contribution
  - Reflecting world standard
- (4) **Discussing various Access Medias**
  - NTT-NGN ( Simplifying HGW+ADP model etc. )
  - Other access medias such as Cable, Cellular are to be discussed.

# (1) Announcing Guideline (rev. 1)

- Objectives Persuading HGW maker to use Guideline rev. 1.
- Output –
- Due Date At any time until Feb. 2010

## ◆ Action Items

- Listing who to explain
  - Carriers
  - HGW Makers / Vendors etc.
- Explaining
  - Explaining the Guideline.
  - IPv6 promotion

## (2) Revising Guideline (rev. 1)

•Objectives	Revising Guideline based on public comments and new issues.
•Scope	Home Router
•Output	Guideline (rev. 2)
•Due Date	Feb. 2010

### ◆ Action Items

- Prioritizing each item of public comments.
- Discussing other issues. (MIP, DS-Lite ...)
- Information Gathering
- Revising the Guideline (from rev. 1 to rev. 2)

## (3) International Activity

•Objectives	(A) International Contribution (B) Reflecting world standard
•Scope	Home Router
•Output	Guideline (rev. 2)
•Due Date	Feb. 2010

### ◆ Action Items (A)

- Translating Guideline 1.0 to English.
- Introducing it to some organizations.
- Forming a certain relationship between Broadband Forum.

### ◆ Action Items (B)

- Finding difference between IPv6PC and Broadband Forum, IETF, CableLab, HGW Initiative, etc.
- Revising Guideline.

## (4) Discussing various Access Medias (NTT-NGN)

•Objectives	Simplifying HGW+ADP model
•Scope	HGW+ADP of Tunnel Method
•Output	Appendix of Guideline (rev.2)
•Due Date	Feb. 2010

### ◆ Action Items

- Listing issues by brain storming.
  - Listing functions that are required to HGW and Adapter.
  - Getting technical information from NTT-East/West
- ※ Other access medias such as Cable, Cellular are to be discussed later.

# Organization of IPv6PC and this SWG

IPv6PC --> IPv4/IPv6 Co-existing WG -> Home Router SWG





# Project Structure

- ◆ **Project owner**    Takashi Arano            Intec Netcore
- ◆ **Chair**            Yoshiaki Kitaguchi    Intec Netcore
- ◆ **Co-Chair**        Tetsuya Innami        Softbank BB
- Akira Nakagawa        JPIX
- Tomohiro Fujisaki     NTT
  
- ◆ **Member**
  - Home Router maker, ISP, Access Provider. etc.
  - People who are interested in this SWG.
  - Non-members are appreciated to join.

## ◆ Off Line ( Meeting )

- Frequency            Every other week
- Place                 MRI (IPv6 PC Secretariat office)

## ◆ On Line

- ML                    Exchanging information
- Wiki                  Saving documents

# Schedule

	2009 9	10	11	12	2010 1	2-4	5
Kicking off ★ (Aug. 31th)							
Discussing	→						
Drafting		- - - - - →					
Editing			- - - - - →				
Publishing Announcement				- - - - - →			

## ◆ Guideline ver. 1.0 (Japanese)

- <http://www.v6pc.jp/jp/wg/coexistenceWG/v6hgw-swg.phtml>

## ◆ Guideline ver. 1.0 (English)

- <http://www.v6pc.jp/en/wg/coexistenceWG/v6hgw-swg.phtml>

## ◆ Public comments for ver. 0.9 (2009.5) and our comments for each item. (only Japanese)

- [http://www.v6pc.jp/jp/upload/pdf/v6hgw\\_Public\\_Comment\\_Reply\\_200906022.pdf](http://www.v6pc.jp/jp/upload/pdf/v6hgw_Public_Comment_Reply_200906022.pdf)

